

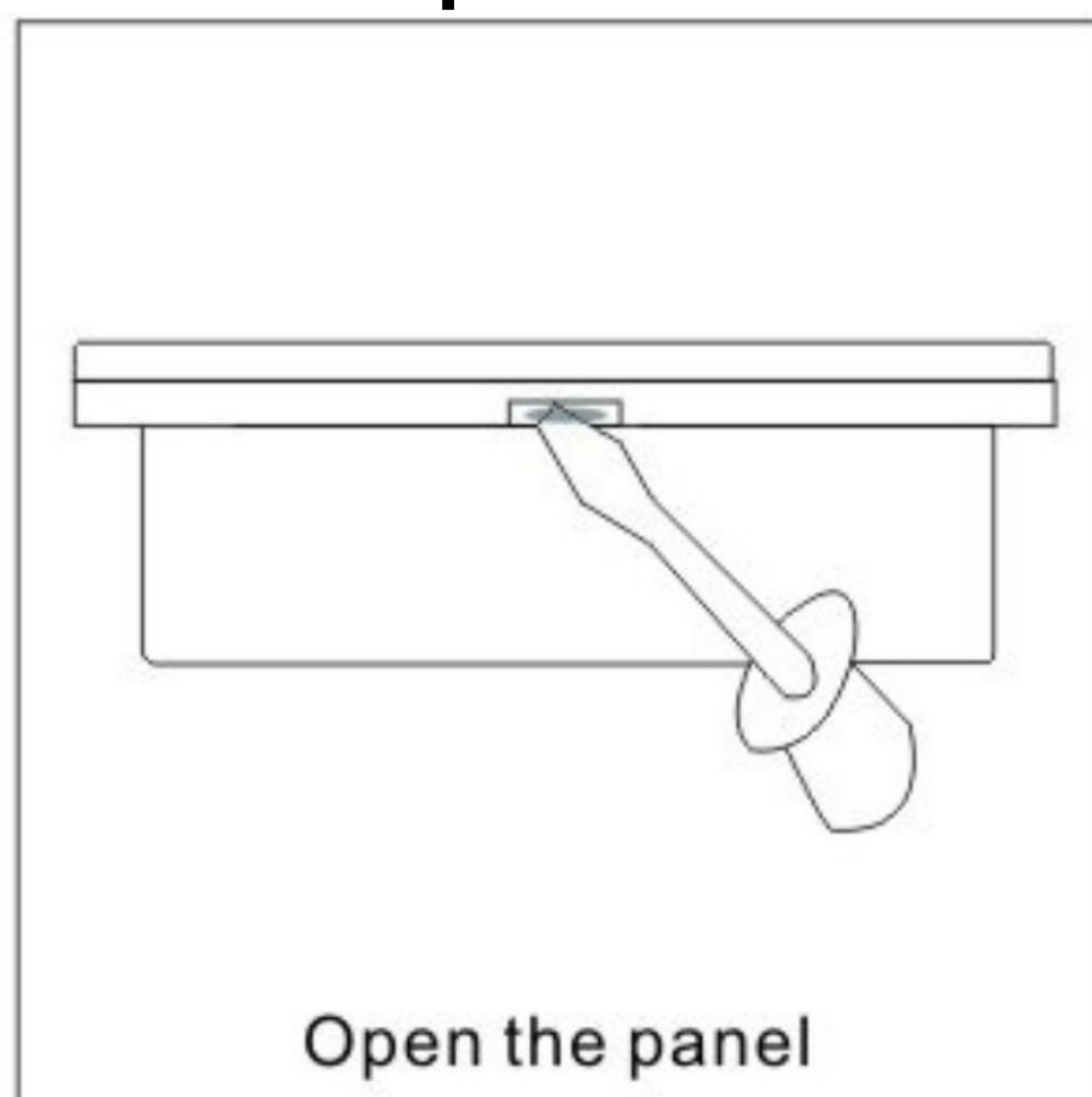


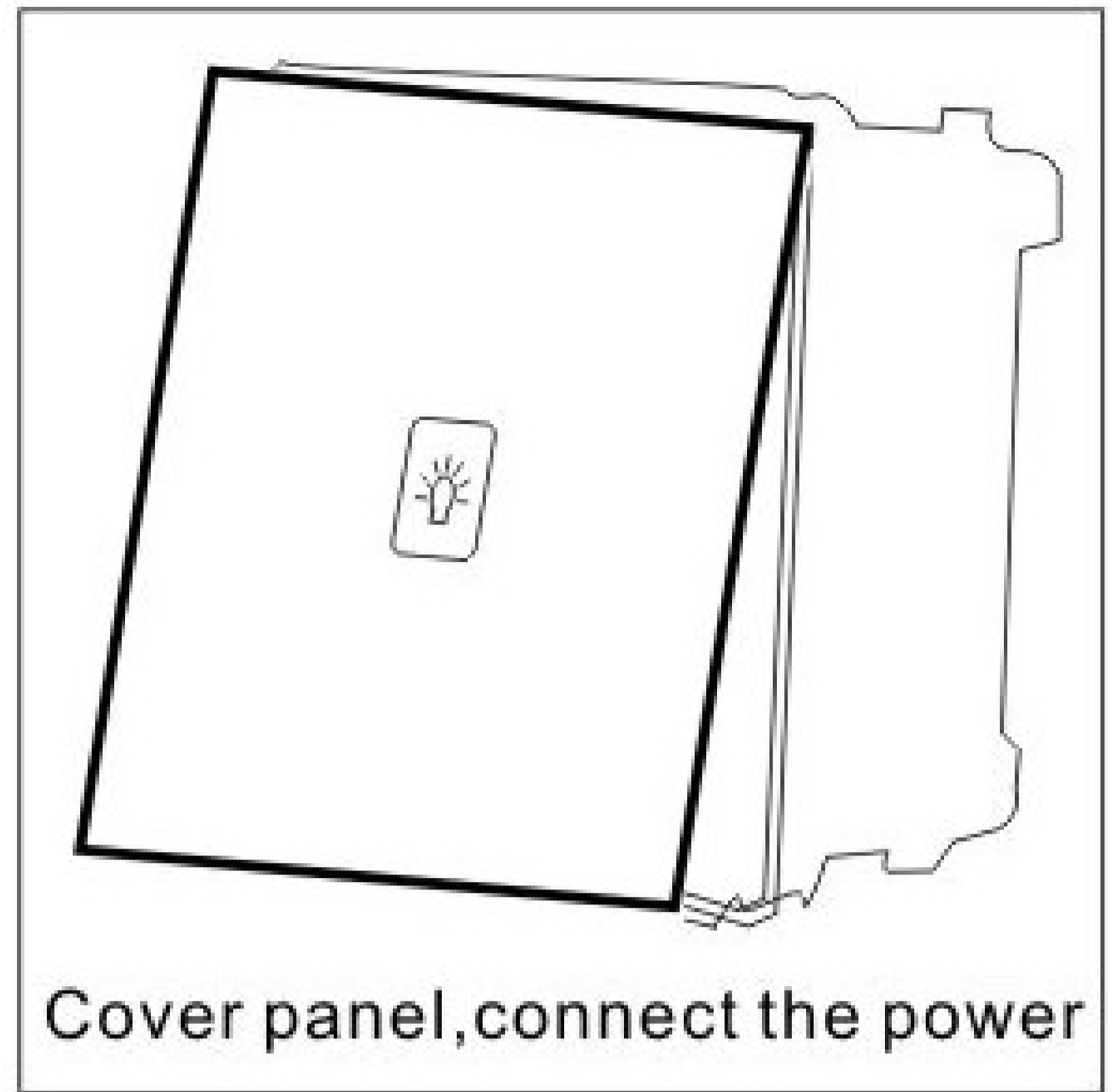
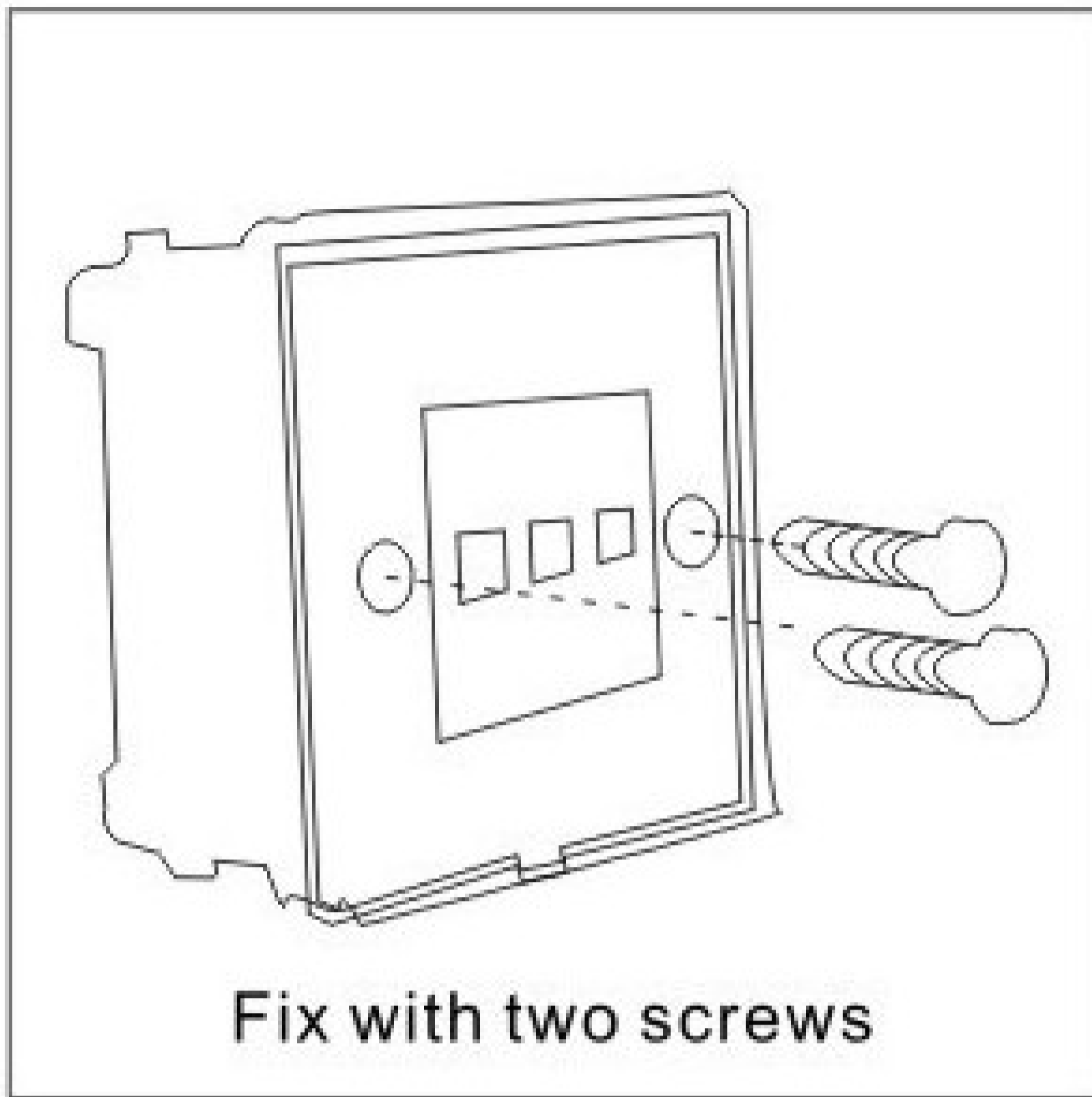
Please read the instructions carefully before installation. The manufacturers will not be responsible for any failure operations not follow the instructions. Use a licensed electrician

Special attentions:

- 1- Do not install with power.
- 2- Strictly in accordance with product wiring diagram.
- 3- Do not over load.

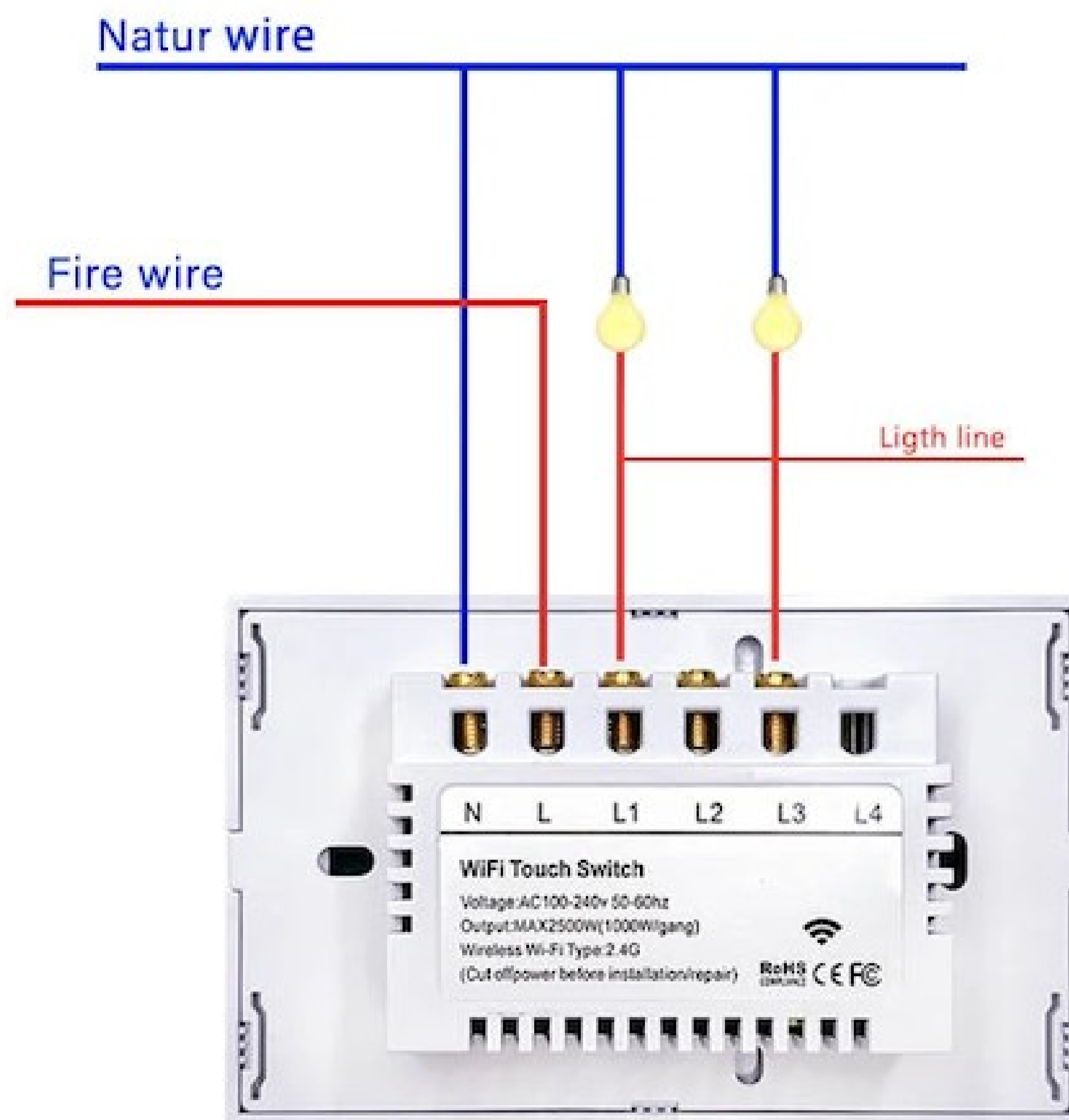
I. Installation Steps:





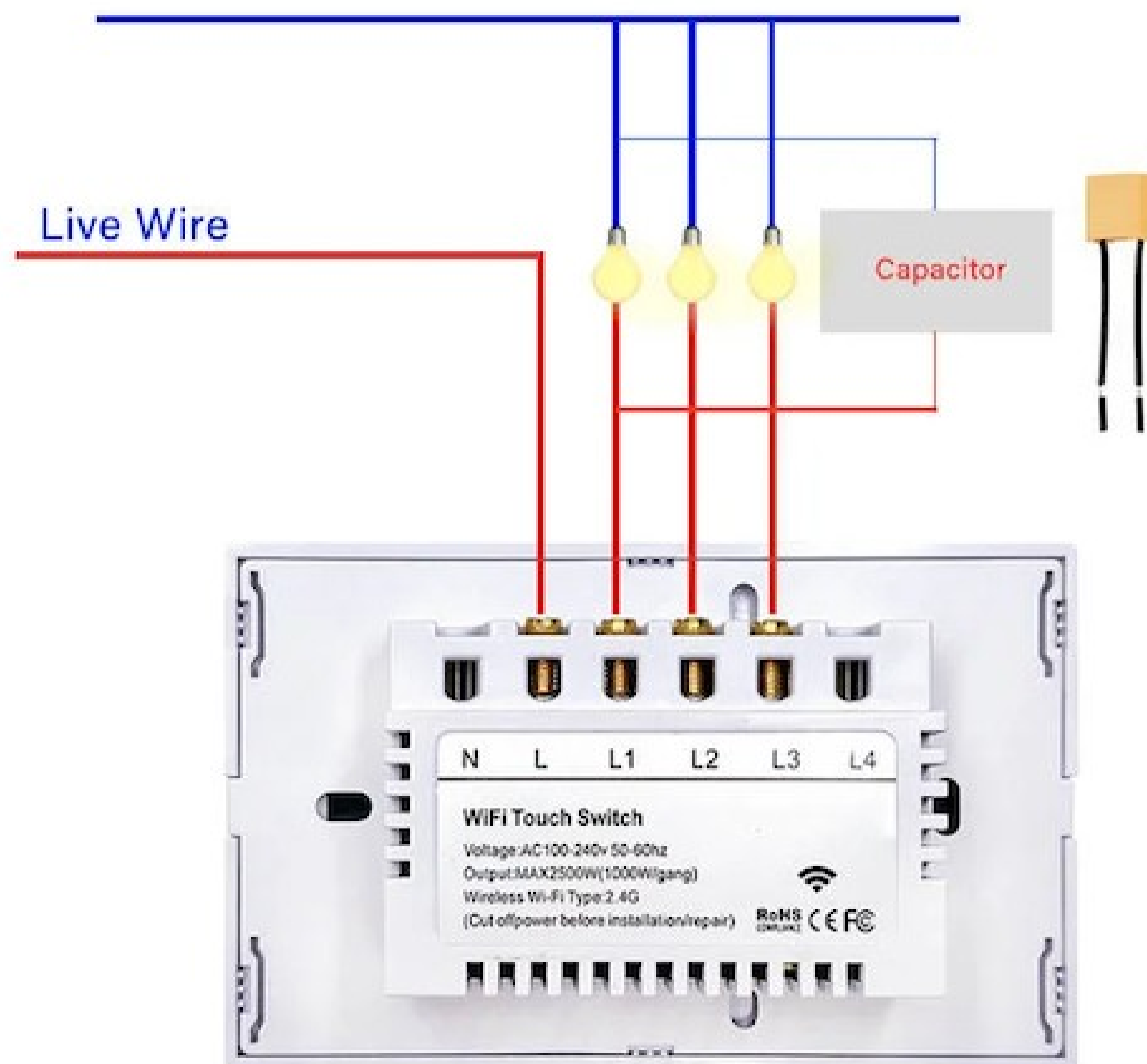
II. Wiring Diagram

1- Neutral & Live Line Mode



(Figure 1)

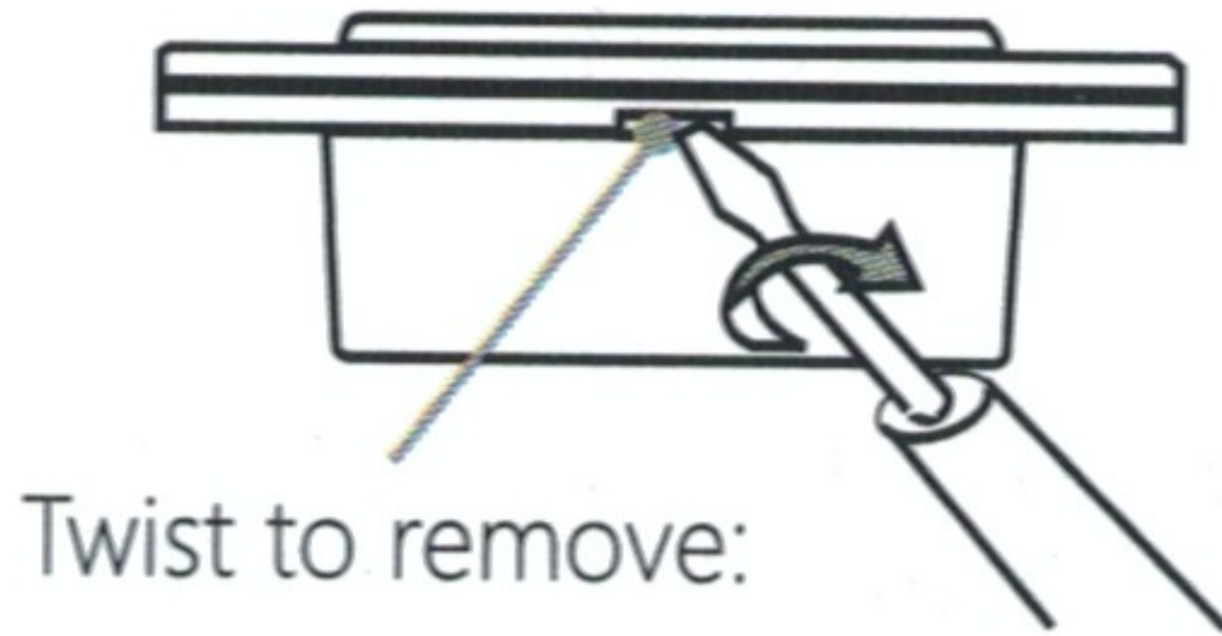
2- Single Live Line Model



(Figure
2)

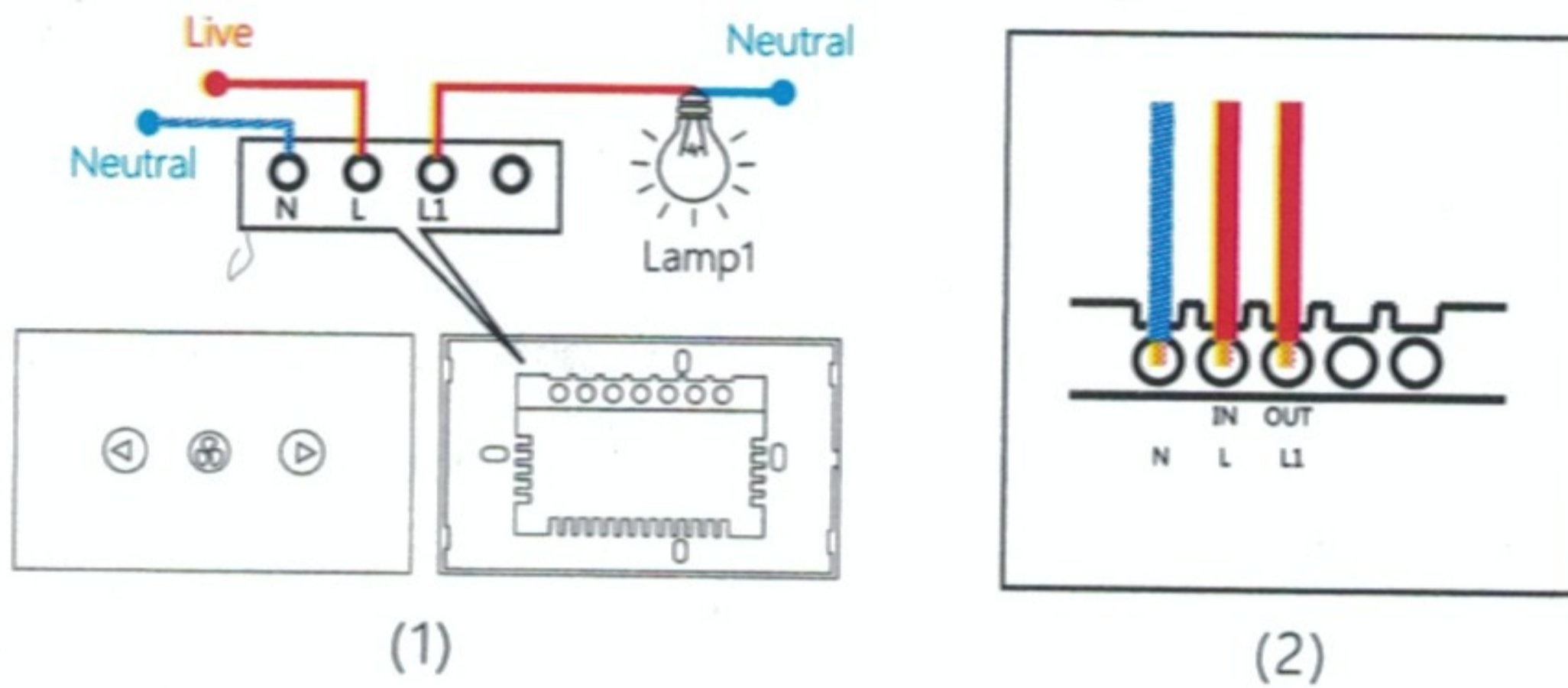
3- Fan controller and Dimmer

1. Open the front cover by a small flat screwdriver

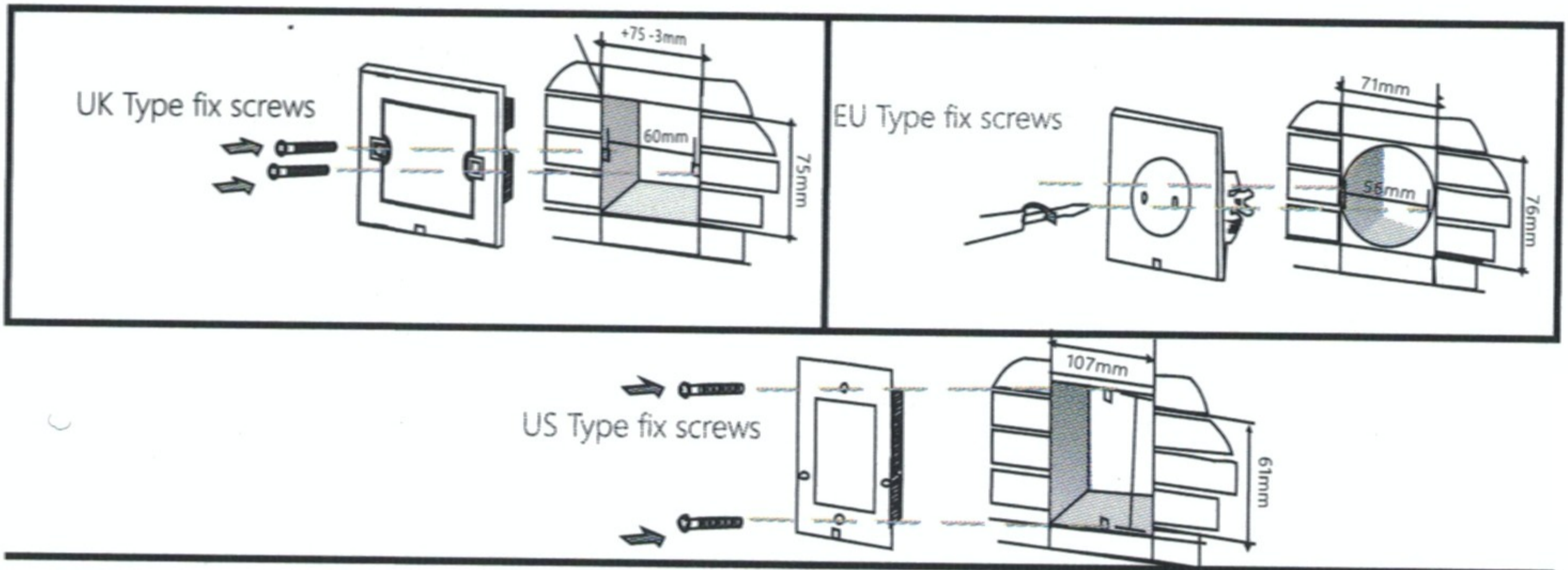


2. Wiring

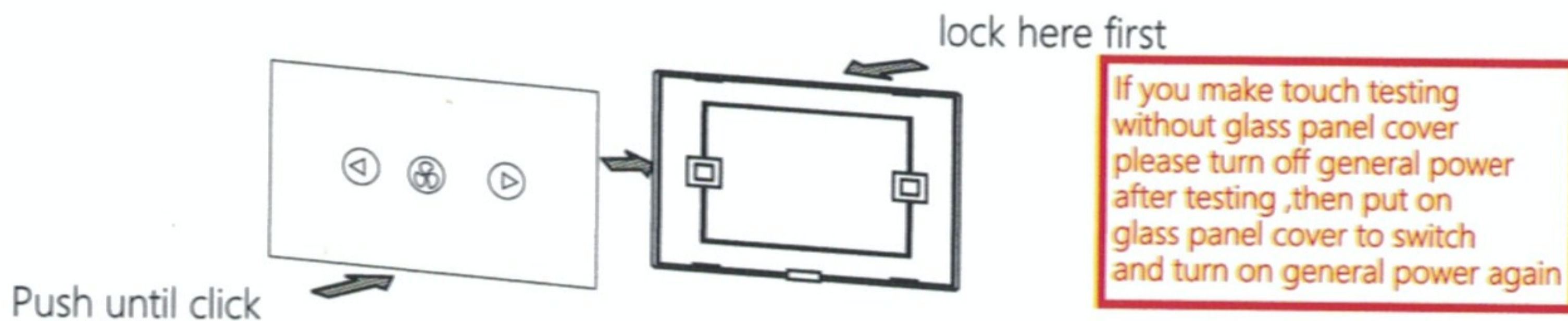
Connect wire to the correct terminal and tighten the screws.



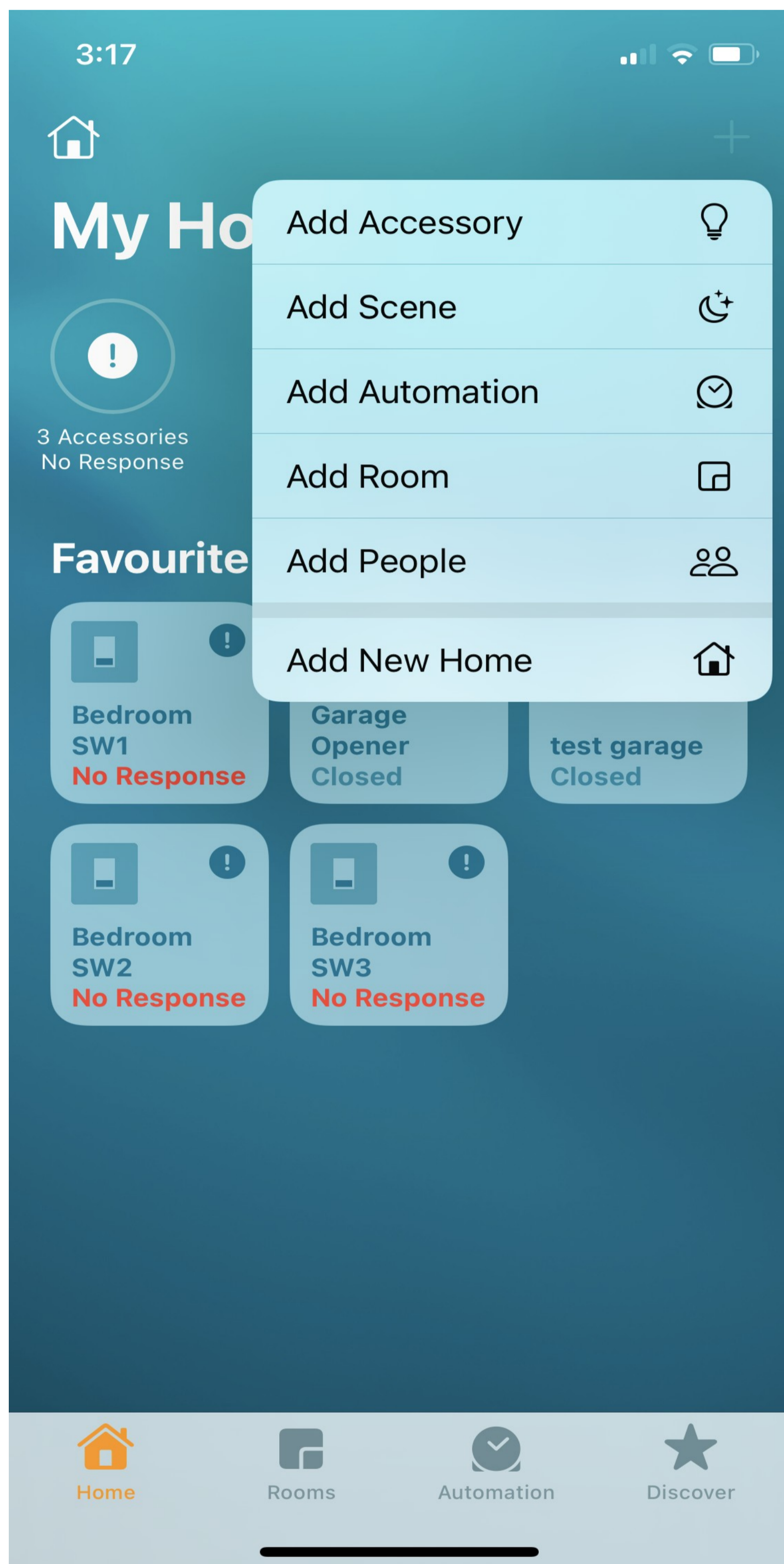
3. Fix screws



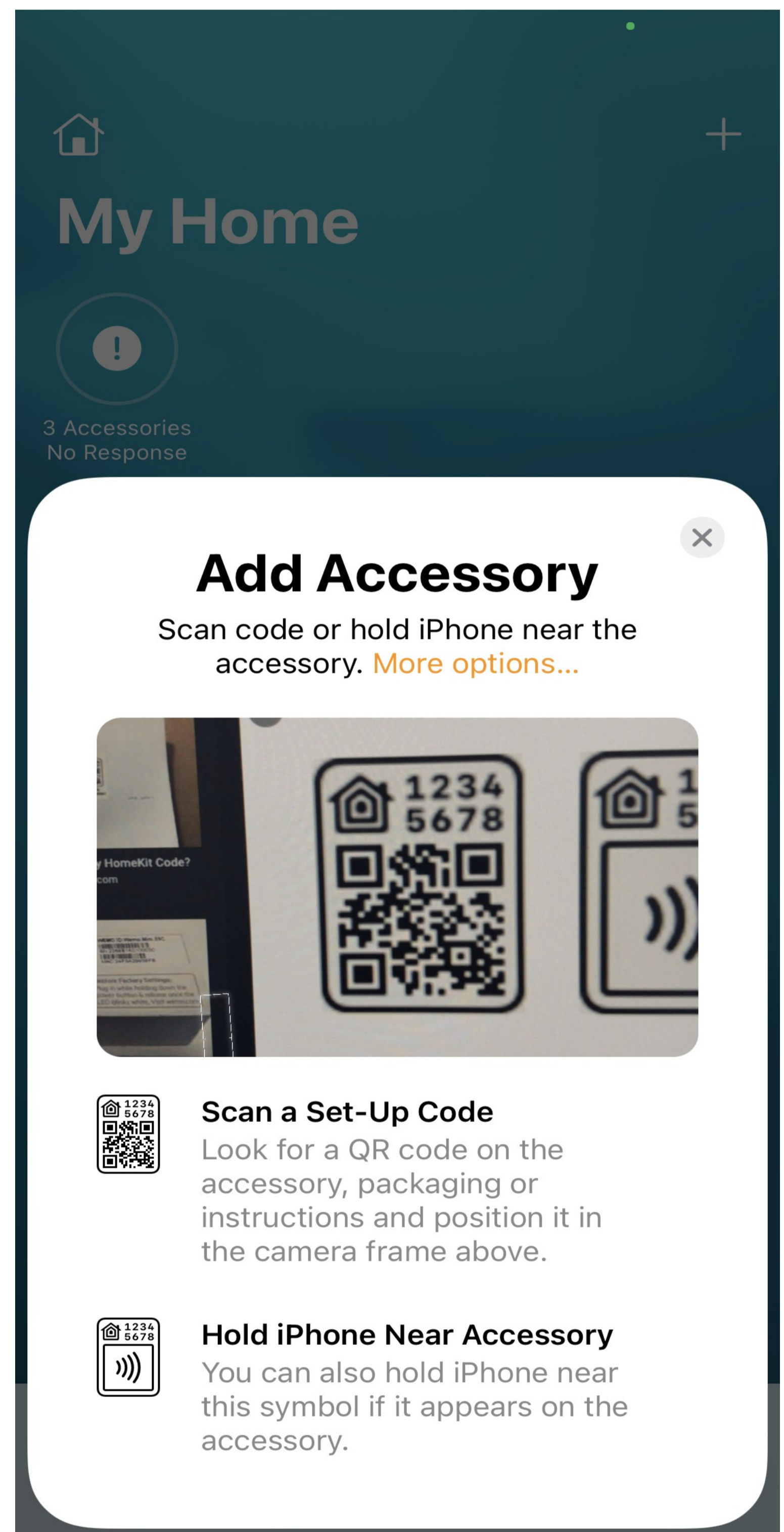
4. Cover the panel and connect the power.



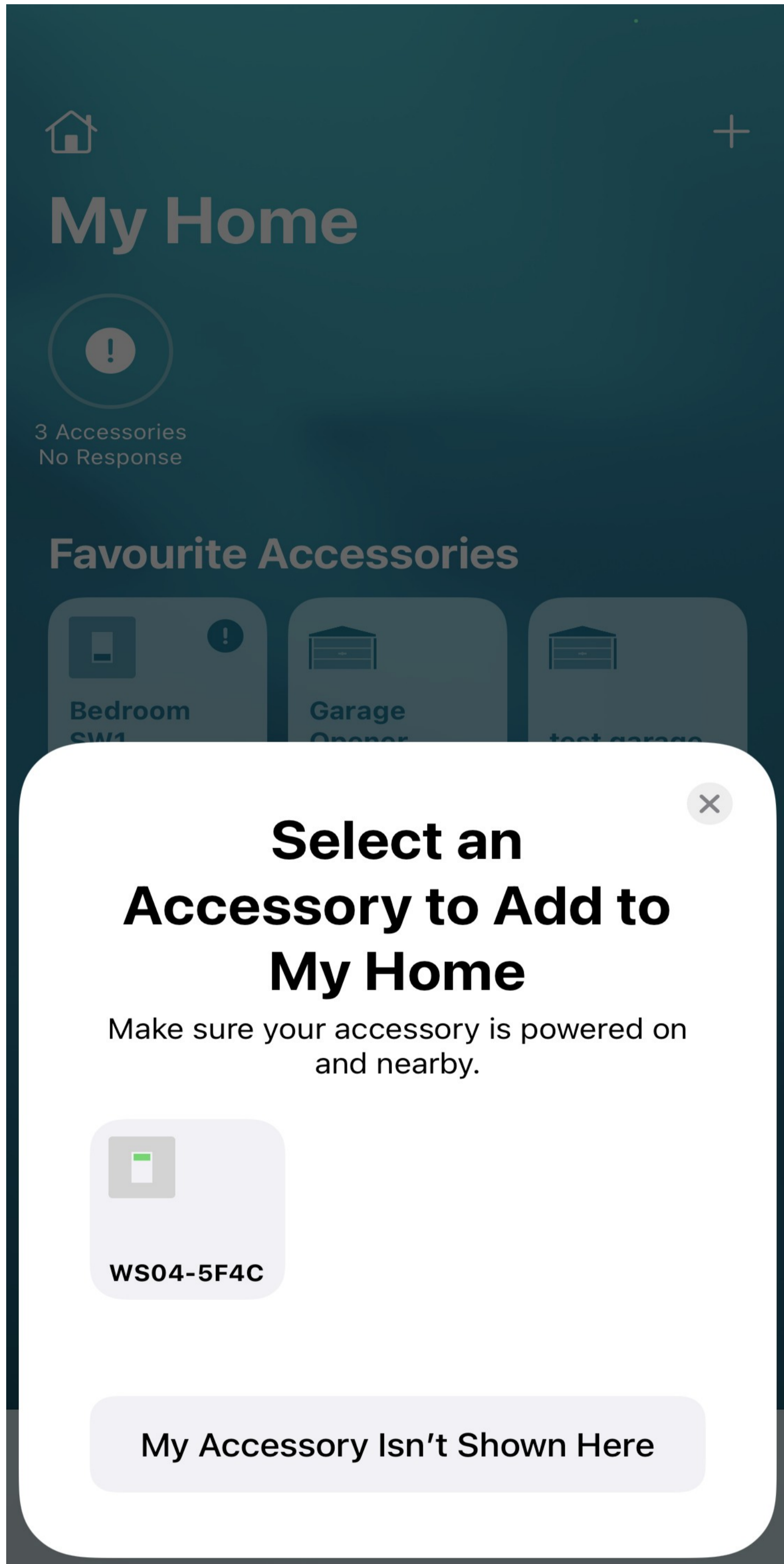
Add to Home App



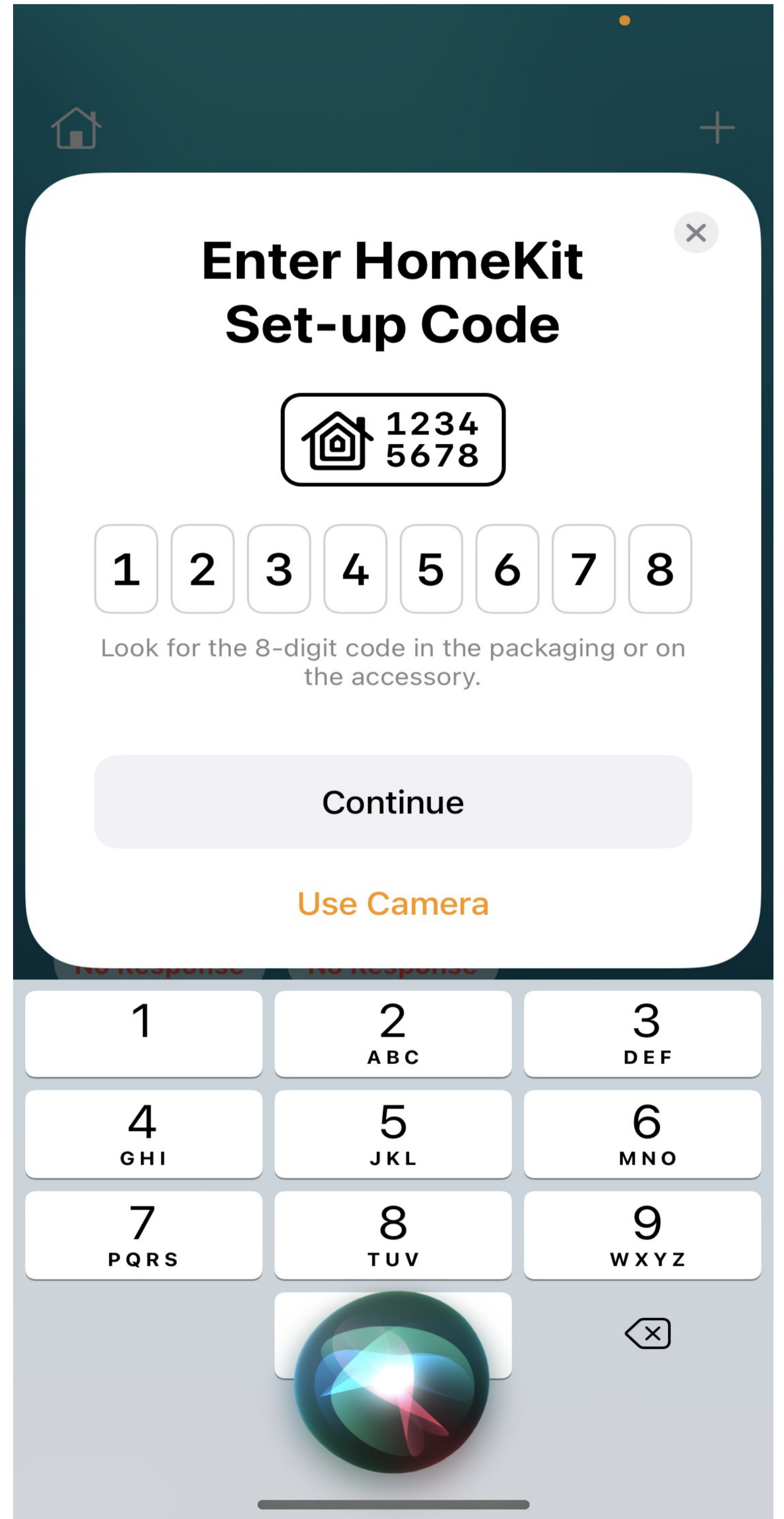
Start Home App and select + or Add Accessory on the top right



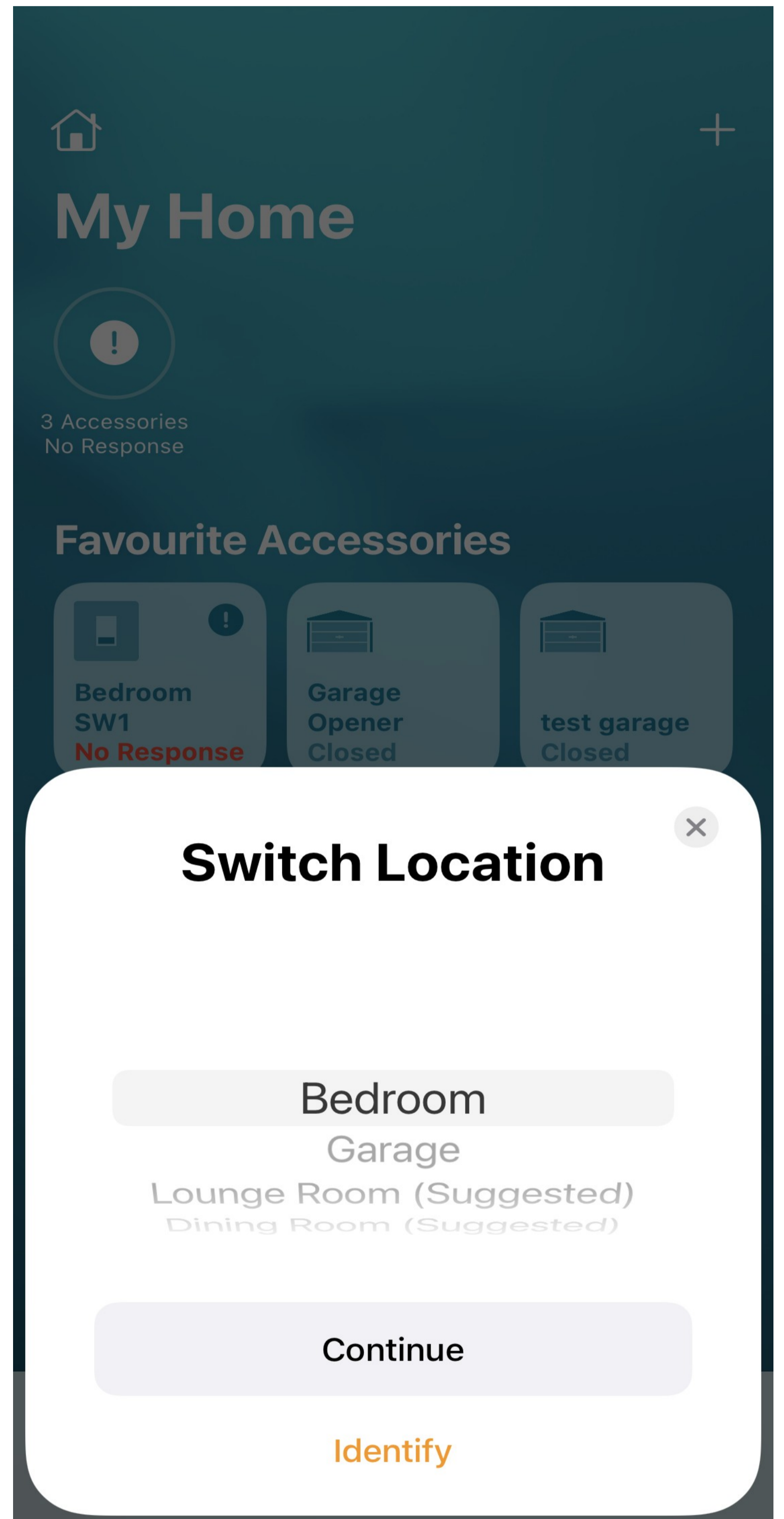
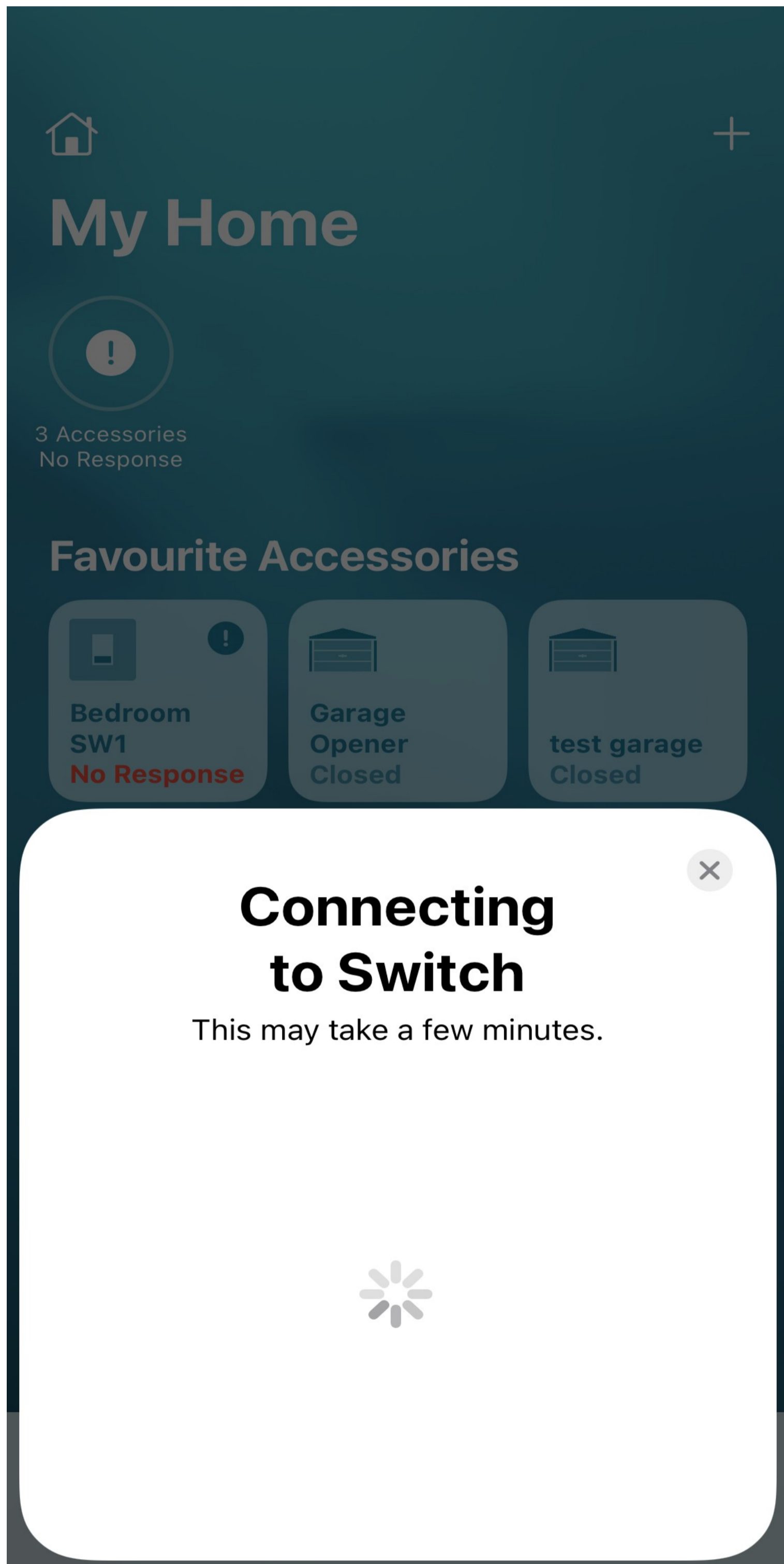
You can either scan the QR code or if the QR code is not visible (next page)



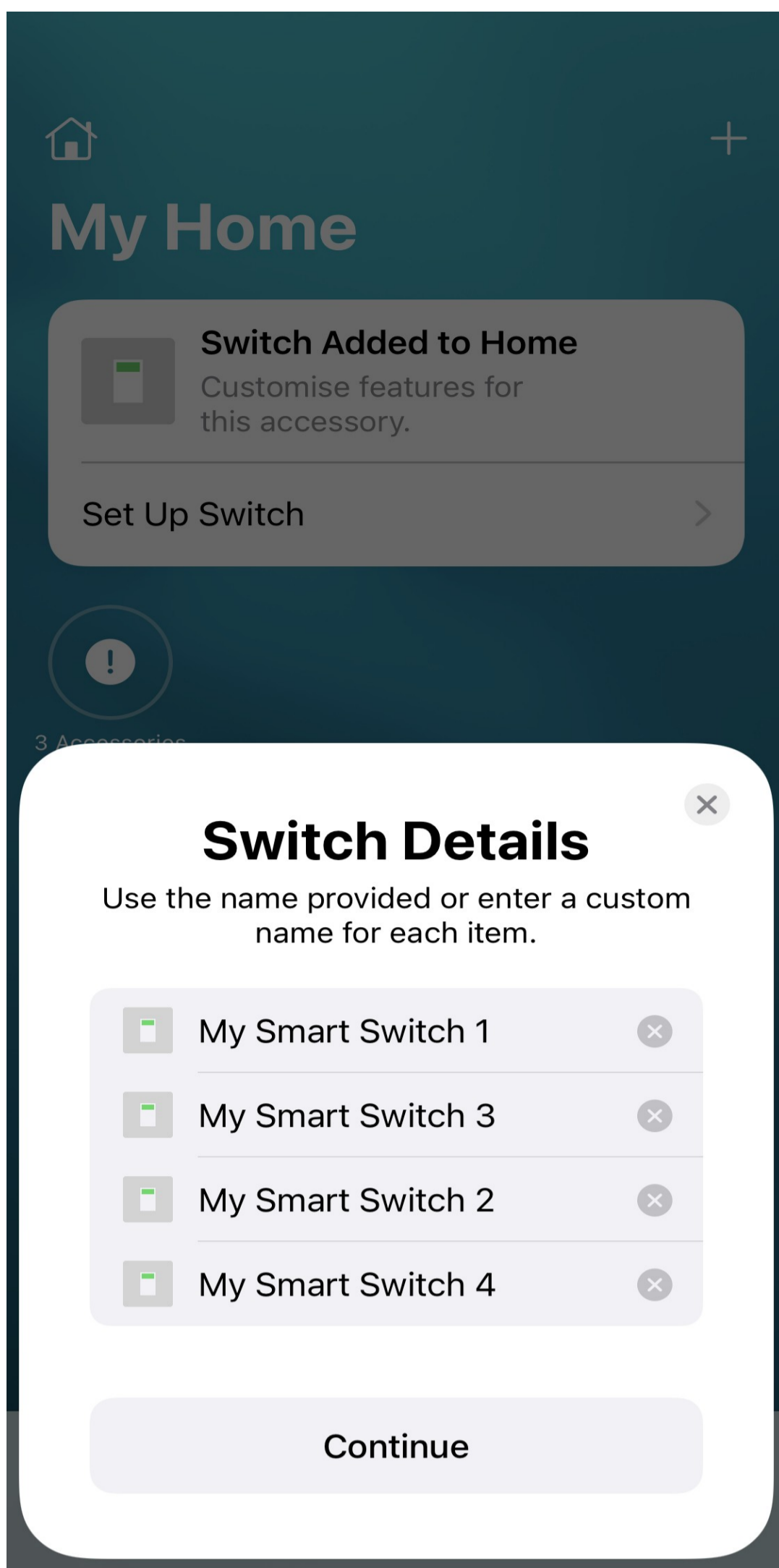
Select "more options" to get this screen



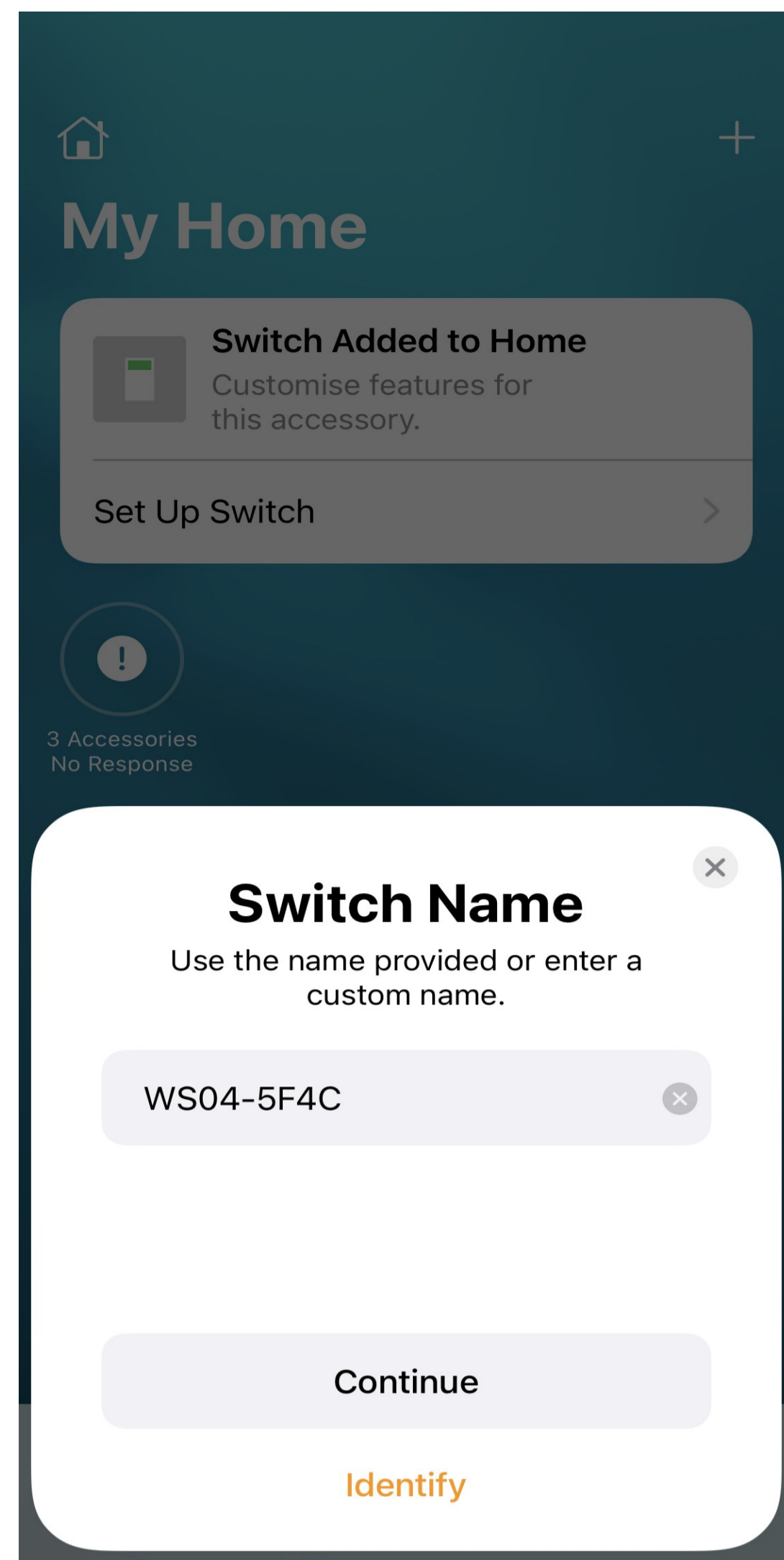
Enter pairing code manually



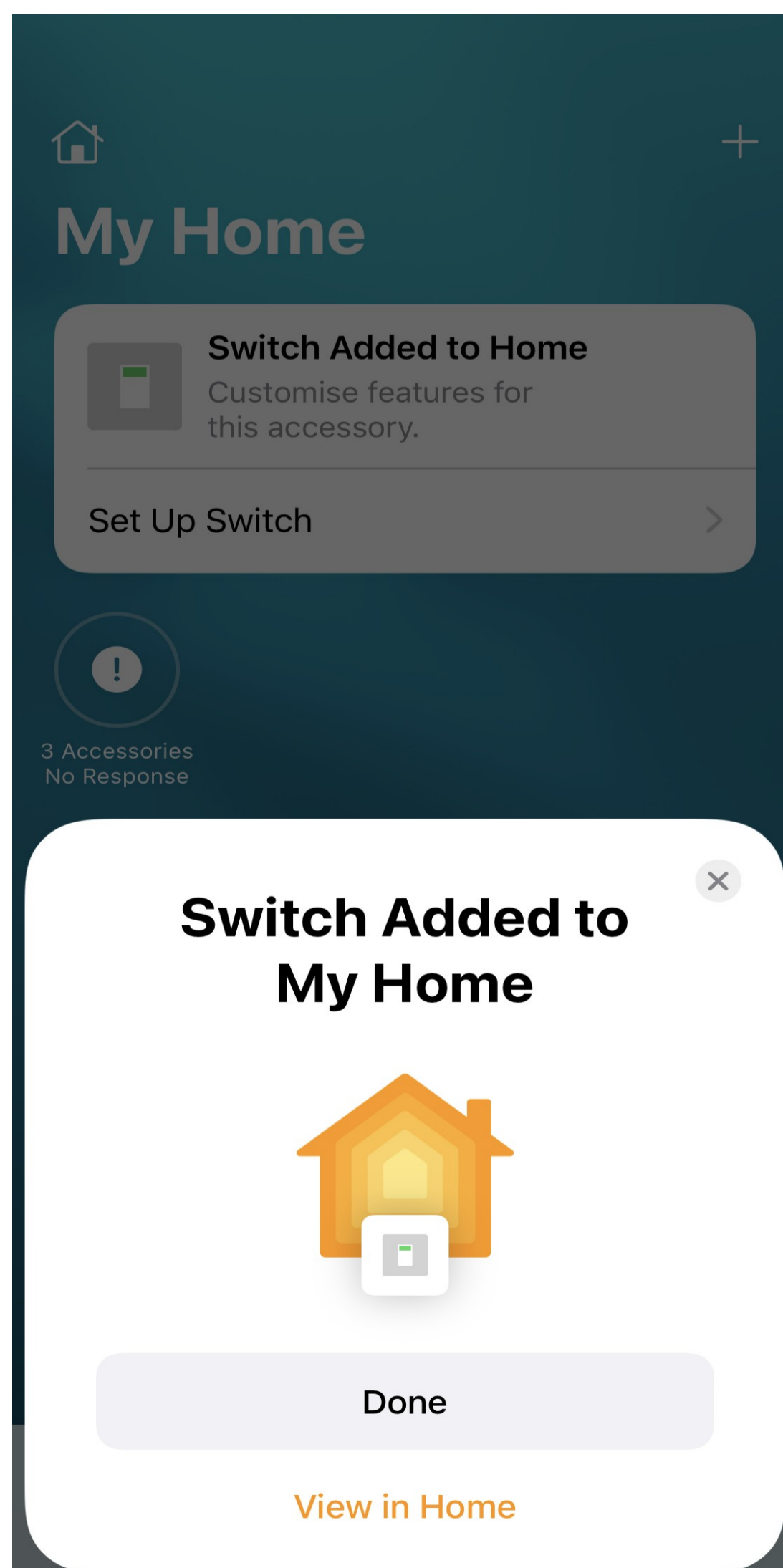
Select which room to add accessory to



Assign names to the different appliances connected to the switch (i.e. fan, light etc)



Assign name to the switch when it shows in the home App.



Congratulations you are done..

How to clear the settings?

For switches

Press any touch button and hold for about 10 seconds.

Note: Please note that for multi gang switches only needs once clearing.

For Fan controller and Dimmer(black back)

Press the centre button 5 times quickly and then hold it for 5 more seconds till the three buttons start flashing quickly, also you will notice that your fan or light will turn on/off three times in a row.

For Fan controller

Press the centre button middle (M) speed for 10 seconds or more, also you will notice that your fan or light will turn on/off three times in a row.

For Dimmer

Press the centre button for 10 seconds or more, also you will notice that your fan or light will turn on/off three times in a row.

Note: If the device is not discoverable after 15 minutes from power up. If the device is not viewable in the home app, please power cycle the unit in order to make it discoverable for pairing.

Specification:

-Rate Voltage: AC110V/AC220-Rated Frequency: 50Hz/60Hz-Self Power Consuming: 0.5W-Rated Power:-Neutral & Live Line Model: 2000W max power-Single Live Line Model (low power): 5-2000W/gang-Fan controller and Dimmer: <600W- Dimensions: 118mm X 72mm X 34mm